

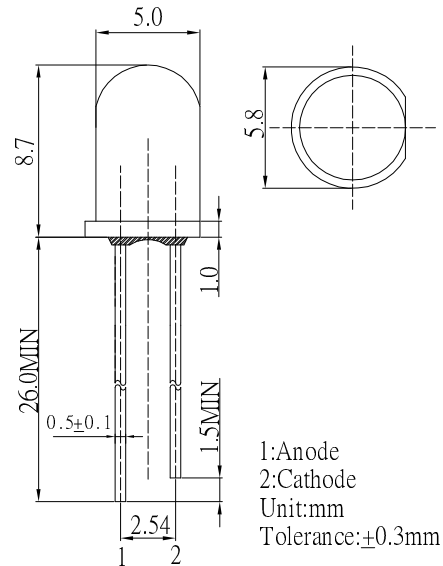
■ Features

- High Luminous LEDs
- 5mm Round Standard Directivity
- Superior Weather-resistance
- Candle Flashing Type
- Water Clear Type

■ Applications

- Toys
- Games
- Audio
- Other Lighting

■ Outline Dimension

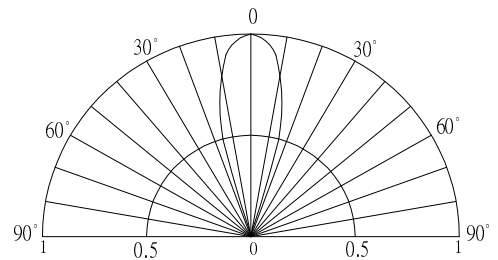


■ Absolute Maximum Rating (Ta=25°C)

Item	Symbol	Value	Unit
Power Supply	Voltage	5.0	V
Operating Temperature	Topr	-30 ~ +85	°C
Storage Temperature	Tstg	-40 ~ +100	°C
Lead Soldering Temperature	Tsol	260°C/5sec	-

*Pulse width Max.10ms Duty ratio max 1/10

■ Directivity



■ Electrical -Optical Characteristics (Ta=25°C)

Item	Symbol	Conditio	Min.	Typ.	Max.	Unit
DC Forward Voltage	V _{dd}	I _f =20mA	2.5	3.3	5.0	V
Domi. Wavelength*	λ _D (Red)	I _f =20mA	620	625	630	nm
Luminous Intensity*	I _v (Red)	I _f =20mA	4500	5800	-	mcd
50% Power Angle	2θ _{1/2}	I _f =20mA	-	30	-	deg

*1 Tolerance of measurements of dominant wavelength is ±1nm

*2 Tolerance of measurements of luminous intensity is ±15%

*3 Tolerance of measurements of forward voltage is ±0.1V