

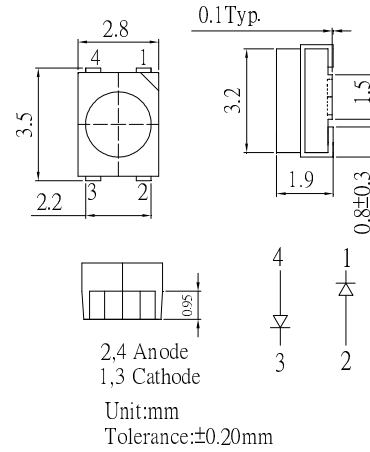
**■Features**

- High Luminous PLCC4 Top SMD LEDs
- 3.5x2.8x1.9mm Standard Directivity
- Long Lifetime Operation
- Superior Weather-resistance
- UV Resistant Silicone

**■Applications**

- Toys
- Audio
- Games
- Other Lighting

**■Outline Dimension**



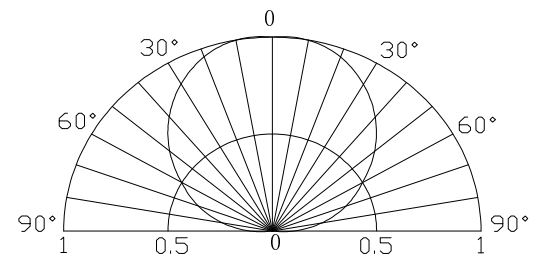
**■Absolute Maximum Rating**

(Ta=25°C)

| Item                       | Symbol           | Value      |          | Unit |
|----------------------------|------------------|------------|----------|------|
|                            |                  | W/M/B/TG   | YG/Y/O/R |      |
| DC Forward Current         | I <sub>F</sub>   | 30         | 30       | mA   |
| Pulse Forward Current*     | I <sub>FP</sub>  | 100        | 100      | mA   |
| Reverse Voltage            | V <sub>R</sub>   | 5          | 5        | V    |
| Power Dissipation          | P <sub>D</sub>   | 108        | 78       | mW   |
| Operating Temperature      | T <sub>opr</sub> | -30 ~ +85  |          | °C   |
| Storage Temperature        | T <sub>stg</sub> | -40 ~ +100 |          | °C   |
| Lead Soldering Temperature | T <sub>sol</sub> | 260°C/5sec |          | -    |

\*Pulse width Max.10ms Duty ratio max 1/10

**■Directivity**



| Part Number | Color        |    |   | V <sub>F</sub> (V)   |      |      | I <sub>R</sub> (μA) | I <sub>v</sub> (mcd) |      |                      | λD(nm)           |      |      | θ1/2(deg) |
|-------------|--------------|----|---|----------------------|------|------|---------------------|----------------------|------|----------------------|------------------|------|------|-----------|
|             |              |    |   | Min.                 | Typ. | Max. | Max.                | Min.                 | Typ. | Max.                 | Min.             | Typ. | Max. | Typ.      |
|             |              |    |   | I <sub>F</sub> =20mA |      |      | V <sub>R</sub> =5V  |                      |      | I <sub>F</sub> =20mA |                  |      |      |           |
| OSWWD4S2C1A | White        | W  |   | 2.8                  | 3.1  | 3.6  | 10                  | 1560                 | 1900 |                      | CCT: 8000-18000K |      |      | 120       |
| OSMMD4S2C1A | Warm White   | M  | ■ | 2.8                  | 3.1  | 3.6  | 10                  | 750                  | 1120 |                      | CCT: 2700-3200K  |      |      | 120       |
| OSBBS4S2C1A | Blue         | B  | ■ | 2.8                  | 3.1  | 3.6  | 10                  | 220                  | 400  |                      | 465              | 465  | 475  | 120       |
| OSPPD4S2C1A | True Green   | TG | ■ | 2.8                  | 3.1  | 3.6  | 10                  | 750                  | 1120 |                      | 520              | 525  | 530  | 120       |
| OSGGH4S2C1A | Yellow Green | YG | ■ | 1.8                  | 2.1  | 2.6  | 10                  | 150                  | 220  |                      | 565              | 570  | 575  | 120       |
| OSYJR4S2C1A | Yellow       | Y  | ■ | 1.8                  | 2.1  | 2.6  | 10                  | 220                  | 350  |                      | 585              | 590  | 595  | 120       |
| OSOOR4S2C1A | Orange       | O  | ■ | 1.8                  | 2.1  | 2.6  | 10                  | 220                  | 350  |                      | 600              | 605  | 610  | 120       |
| OSRRR4S2C1A | Red          | R  | ■ | 1.8                  | 2.1  | 2.6  | 10                  | 220                  | 350  |                      | 620              | 625  | 630  | 120       |

\*1 Tolerance of measurements of chromaticity coordinate is ±10%

\*2 Tolerance of measurements of dominant wavelength is ±1nm

\*3 Tolerance of measurements of luminous intensity is ±15%

\*4 Tolerance of measurements of forward voltage is±0.1V