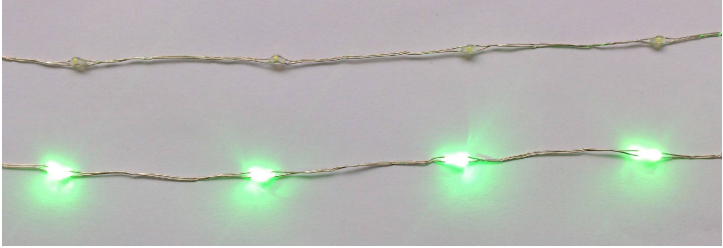
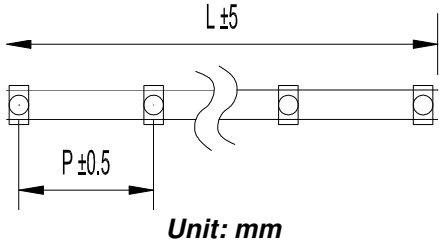


Model No.	OSMSXX100FD
Ver.	4

PRODUCT SPECIFICATION FOR MINI LED STRING

Descriptions	Product Picture
<p>LED Waterproof Light, IP65 Long life, easy installation Voltages available in 12VDC LED Type: SMD LED, 1.6x0.8mm, 120deg Enamelled copper wire, could be DIY into different shapes</p>	

Typical Performance (Ta=25°C)

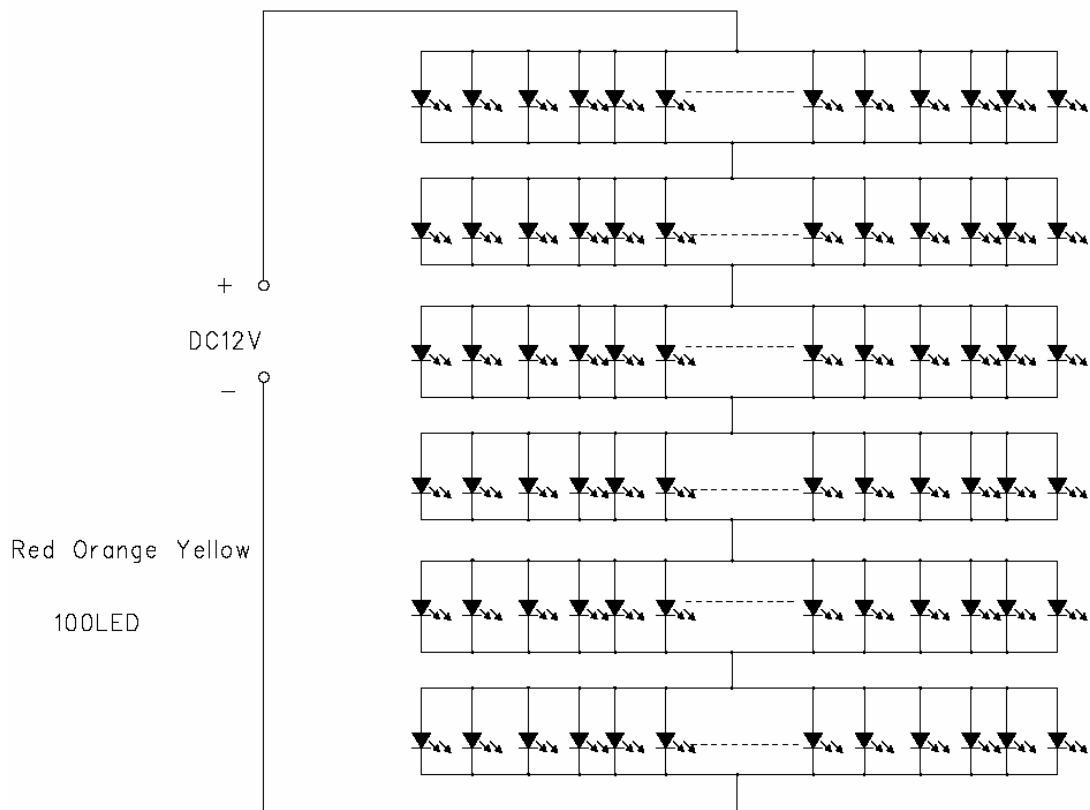
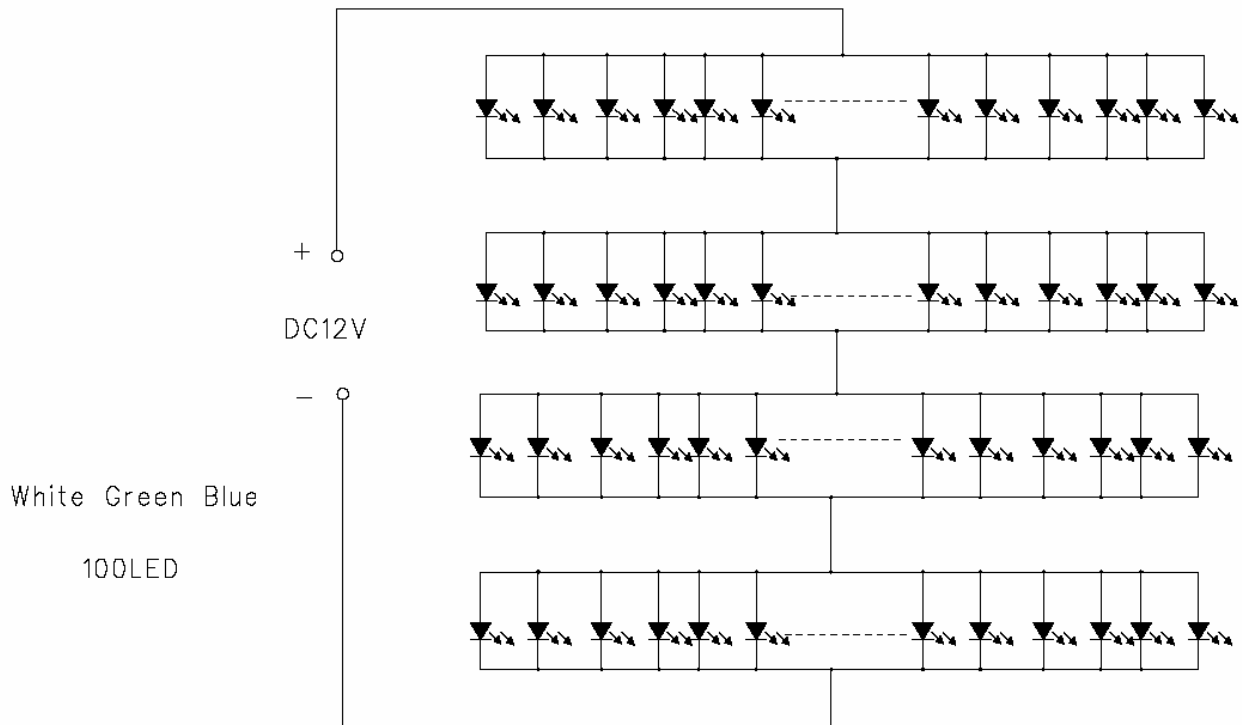
Items	Symbol	Min.	Typ.	Max.	Units	Product Dimensions:
LED Module Power	Pm(R,O,Y)	0.69	1.56	2.21	W	 <p>Unit: mm</p>
	Pm(W,B)	1.73	2.76	3.69	W	
	Pm(G)	3.45	4.44	5.29	W	
Input Voltage(DC)	Vi	11.5	12.0	12.3	V	
Input Current	If(R,O,Y)	0.06	0.13	0.18	A	
	If(W,B)	0.15	0.23	0.30	A	
	If(G)	0.30	0.37	0.43	A	
Beam Pattern	BP	-	120	-	Deg	
Operating Temperature	Tope	-10 ~ +40			DegC	
Storage Temperature	Tsto	-20 ~ +80			DegC	

Device Selection Guide

Module No.	Color	Dom. Wavelength	Intensity/LED (Typ.)	LED Quantity	Pitch (mm)	Length (mm)	Input Power(DCV)		
							Battery	DC Power Supply	
OSMSM5100FD	Warm White	3000K	220(mcd)	100	56	5000		12V (DC)	
OSMSW5100FD	White	10000	300(mcd)						
OSMSG8100FD	Yellow Green	570(nm)	30(mcd)						
OSMSY5100FD	Yellow	590(nm)	90(mcd)						
OSMSO5100FD	Orange	605(nm)	150(mcd)						
OSMSR5100FD	Red	625(nm)	100(mcd)						
OSMSB5100FD	Blue	470(nm)	120(mcd)						
OSMSG5100FD	True Green	525(nm)	360(mcd)						
OSMST1100FD	Fast Flashing	Red	625(nm)						100(mcd)
		Blue	470(nm)						90(mcd)
		Green	525(nm)	360(mcd)					

Model No.	OSMSXX100FD
Ver.	4

Product Roadmap



Model No.	OSMSXX100FD
Ver.	4

Product Application

