

**■ Features**

- High Luminous PLCC2 Top SMD LEDs
- 3.5x2.8x1.9mm Standard Directivity
- Superior Weather-resistance
- UV Resistant Silicone
- Integral Current Limiting Resistor
- TTL Compatible (Requires No External Current Limiter With 12 Volt Supply)
- Cost Effective (Saves Space and Resistor Cost)
- Water clear Type

**■ Applications**

- Status Indicators
- Other Lighting

**■ Absolute Maximum Rating**

(Ta=25°C)

Item	Symbol	Value	Unit
DC Forward Voltage	V <sub>F</sub>	15	V
Reverse Voltage	V <sub>R</sub>	12	V
Power Dissipation	P <sub>D</sub>	225	mW
Operating Temperature	Topr	-30 ~ +85	°C
Storage Temperature	Tstg	-40~ +100	°C
Lead Soldering Temperature	Tsol	260°C/10sec	-

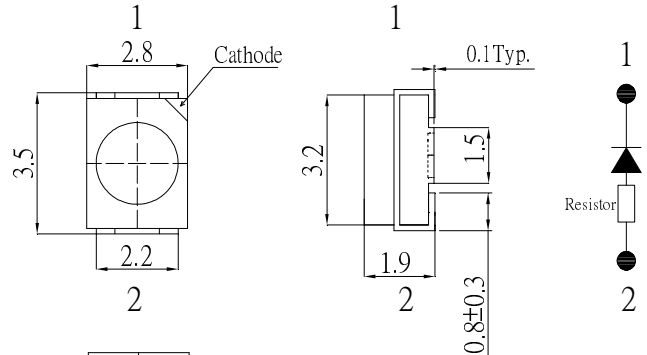
**■ Electrical -Optical Characteristics**

(Ta=25°C)

Part Number	Color		I <sub>F</sub> (mA)			I <sub>v</sub> (mcd)*			λD(nm)*			2θ1/2(deg)
			Min	Typ.	Max.	Min.	Typ.	Max.	Min.	Typ.	Max.	Typ.
			V <sub>F</sub> =12V			V <sub>F</sub> =12V						
OSW5DLS1C1A-12V	White	W	-	10	15	750	1120	-	X=0.27, Y=0.28			120
OSM5DLS1C1A-12V	Warm White	M	-	10	15	750	1120	-	X=0.45, Y=0.41			120
OSK5DLS1C1A-12V	Pink	K	-	10	15	150	220	-	X=0.45, Y=0.17			120
OSB5SAS1C1A-12V	Blue	B	-	10	15	150	220	-	465	470	475	120
OSG5DAS1C1A-12V	Pure Green	PG	-	10	15	750	1120	-	520	525	530	120
OSY5RUS1C1A-12V	Yellow	Y	-	10	15	68	100	-	585	590	595	120
OSO5JAS1C1A-12V	Orange	O	-	10	15	68	100	-	600	605	610	120
OSR5RUS1C1A-12V	Red	R	-	10	15	68	100	-	620	625	630	120

\*1 Tolerance of measurements of Domi. wavelength is ±1nm  
 \*2 Tolerance of measurements of chromaticity coordinates is ±10%  
 \*3 Tolerance of measurements of luminous intensity is ±15%  
 \*4 Tolerance of measurements of forward voltage is ±0.1V

**■ Outline Dimension**



Unit:mm  
Tolerance:±0.20mm  
unless otherwise noted

**■ Directivity**

